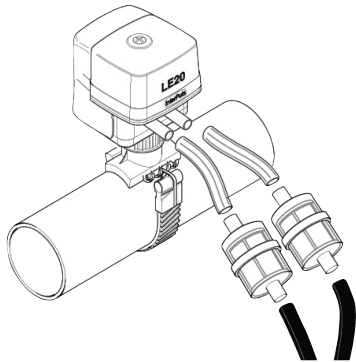


InterPuls

Electronic Pulsator Spare Parts

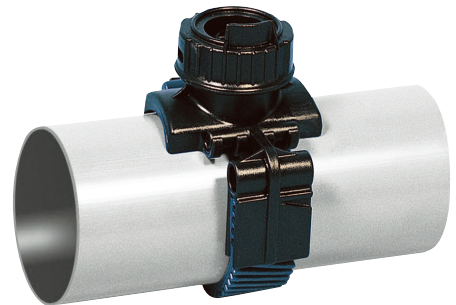
Filter/Silencer



1030226 Filter/Silencer Kit works with all styles of pulsators. Nipples are 3/8" OD. Set of 2.

Complete Quick Mount

for LE30 and LP30 Pulsators



Quick Mount for LE and LP pulsators enables quick connection when moving the pulsator along the vacuum line. Quick Mount is made of durable materials designed to match LE and LP pulsator cases. Strap is adjustable up to 4" OD tubing.

2809078 Complete Quick Mount for Interpuls Electronic LE and LP Pulsators.

Hi Flow Sensor

The ACR System is completely adjustable for soft take-off, milk letdown delay, milk sweep and flow settings for end of milking. Simple to use cow-side information includes milking time and early detaching, which allow fast informed decisions during milking. Delayed retraction is gentle on the teats. High-flow sensor gives stable vacuum with positive shut-off.

5519007 Hi Flow Sensor for 3/4" ID Tubing

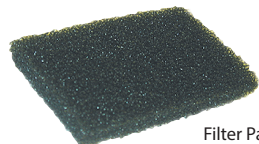
5510008 Replacement Diaphragm Shut-off for Sensor



Electronic Pulsators Repair Parts



Snap-On Air Filter



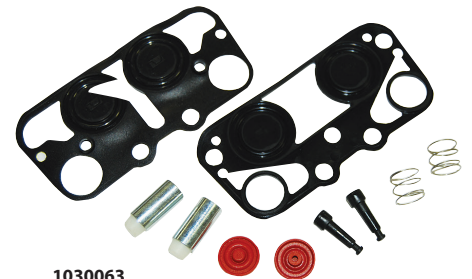
Filter Pad



1060233



1060115



1030063

1030110 Replacement Foam Filter Pad only.

1030111 Replacement Snap-on Air Filter.

1060115 Repair Kit for LE30 and LP30 Pulsators

1030063 Repair Kit for LE20 and LP20 Pulsators

1030019 Replacement 24-volt solenoid for LE and LP Pulsators

1030049 Replacement 12-volt solenoid for LE and LP 12 Volt Pulsators

1060233 Diaphragm & Pistons f/LE30, LP30 & CV30



The Coburn Company, Inc. • P O Box 147 • Whitewater, WI 53190 U.S.A.

800 776 7042

262 473 2822

coburn.com

info@coburn.com

InterPuls

Electronic Pulsators

Improved Electronic Pulsators from Interpuls have been redesigned for consistent milking in all types of milking conditions while minimizing energy usage, maintenance time, vacuum consumption and vacuum fluctuation. In case of a liner split, the pulsators may be flushed with clean water without dismantling the entire pulsator. Repair and replacement service is quick, approximately 10 minutes.

Operation is smooth and quiet due to diaphragm-driven valves, which also contribute to reduced total milking time. Each pulsator features a snap-on air filter for better functioning of the pulsator over a longer period of time. Water-resistant case has a clean attractive design and the quick-connect electrical connections are waterproof. Each pulsator style is available in either single or double milker configuration (2- or 4-exits). All models are 24 volt with 1/2" NPT mounting.



Touch-Screen Controller

LE30 Pulsators may be set for cascading pulsation and for a wide variety of speeds, ratios and milking conditions with the Pulsator Controller. Controller has a microprocessor, quartz timing and is designed to minimize heat and stabilize output current. Controller is made of anodized aluminum with ABS plastic cover and resin-sealed internal parts. Output channels are short-circuit protected.

Touch-Screen Pulsation Controller for 24 LE pulsators has an appealing compact design and, at 6 lbs., is much lighter weight than other controllers. Default settings for rate, ratio, phase and timing are pre-loaded but may be changed via touch screen. Controller will work with input voltages ranging from 100 to 265 VAC without filters or transformers. Box is totally protected against humidity.

- 1069001** LE30 Electronic Pulsator, 2-exit style.
- 1069003** LE30 Electronic Pulsator, 4-exit style
- 1049127** Touch-Screen Controller for 24 LE Pulsators. Wt. 6 lbs.



LP30 is individually programmable so no controller is necessary. Select speed from 55 to 180 pulsations per minute and individual ratios front and rear. Transformer power supply is made of anodized aluminum with ABS plastic cover and resin-sealed internal parts. Output channels are short-circuit protected.

- 1069009** LP30 Programmable Electronic Pulsator, 2-exit style.
- 1069011** LP30 Programmable Electronic Pulsator, 4-exit style.
- 1049131** Power Supply for up to 50 LP Pulsators or up to 20 ACR Detachers. Wt. 6 lbs.



The Coburn Company, Inc. • P O Box 147 • Whitewater, WI 53190 U.S.A.

800 776 7042

262 473 2822

coburn.com

info@coburn.com